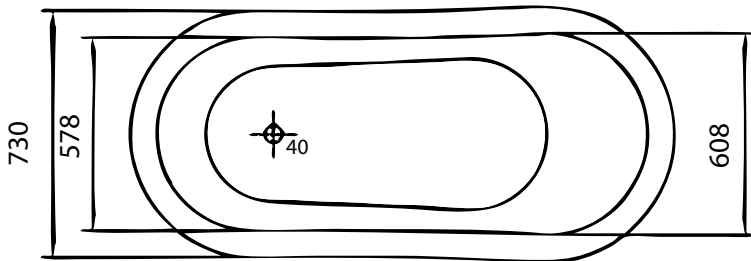
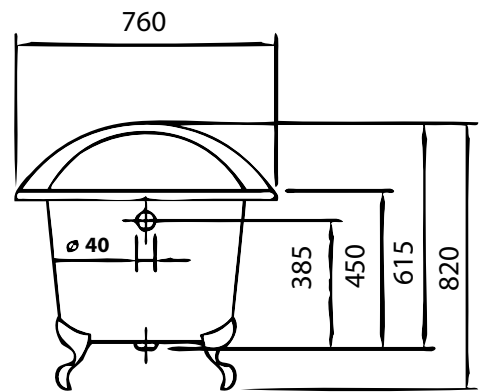
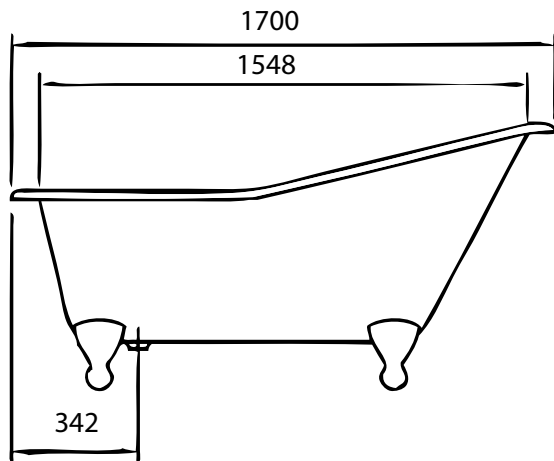


# Acute Slipper 1700

## Dimensions (MM)



Volume: 190 Lt  
Weight (Dry): 133 Kg

Renaissance

4/37 Northlink Pl,  
Virginia QLD 4014  
Ph: (07) 3266 5222  
Fx: (07) 3266 5233  
sales@renaissancebathrooms.com.au  
www.renaissancebathrooms.com.au