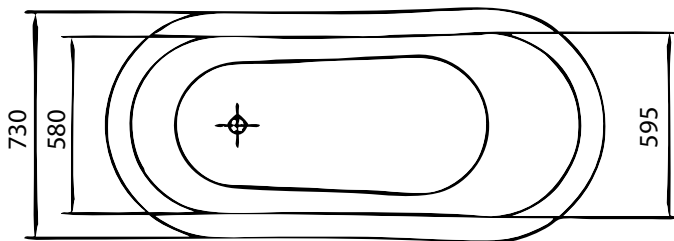
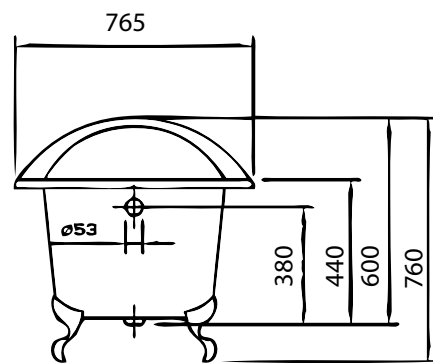
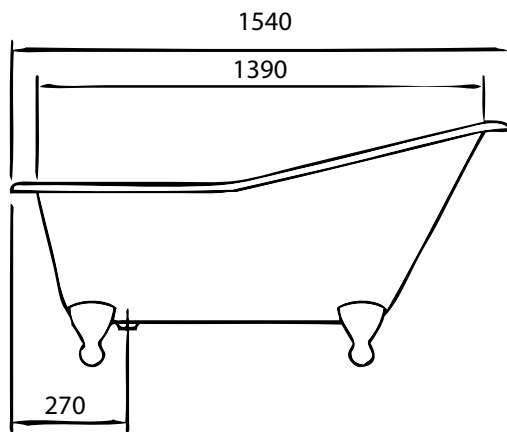


Acute Slipper 1540

Dimensions (MM)



Volume: 100 Lt
Weight (Dry): 126 Kg

Renaissance

4/37 Northlink Pl,
Virginia QLD 4014
Ph: (07) 3266 5222
Fx: (07) 3266 5233
sales@renaissancebathrooms.com.au
www.renaissancebathrooms.com.au