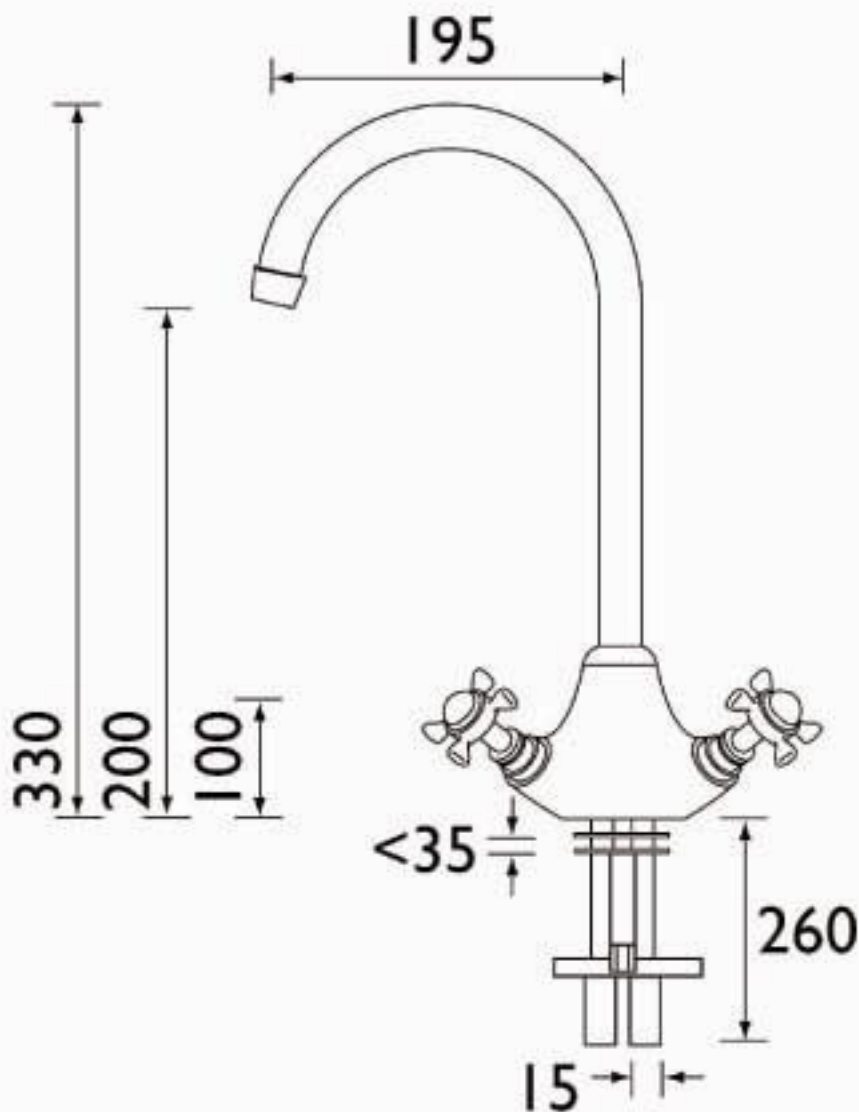


RE 55X
Monobloc Kitchen Mixer



Installation Instructions

Fit the mixer to the sink using the 'C' plate fixing kit. The full rubber washer goes between the fitting and the sink, and the 'C' shaped rubber and metal washers on the underside of the sink, to be secured by the threaded rod and nut.

Fit the tail pipes to the fitting and connect the hot and cold supplies.

Fully open the valves, letting it run for a few minutes to check all joints and connections for leaks.

Water Pressure

Min pressure 50 KPA
Max Pressure 500 KPA

For further assistance with your Renaissance product please call the technical support line on 07 3266 5222 .

Renaissance