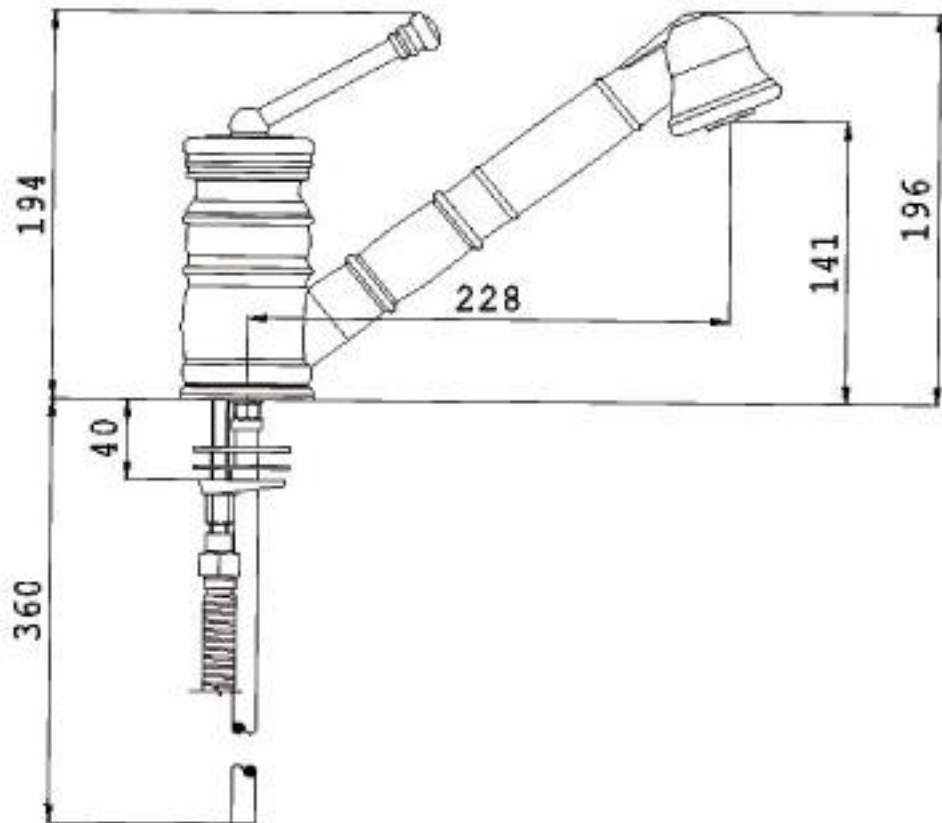


## RE 25MH Swivel Sink Mixer With Extendible Vegi-Sprayer



### **Installation Instructions**

Before starting the installation process you must first check that your basin has a centre hole of 35mm diameter or greater, this is the width needed to allow the flexible hoses to fit through the vanity.

Place the chrome flange with O ring underneath tap body and position over hole that exists for your faucet. Place the horse shoe washer and retainer over the threaded rod that protrudes from the underside of the mixer and secure into position underneath the vanity using the brass nut, ensuring that the threaded brass rod is centred with the forward position of the spout. Tighten nut accordingly.

Take handpiece and hose and connect together. Feed the flexible hose through the spout until handpiece clicks into resting position.

Remove brass reducing adaptor from packing kit and attach to the end of brass rod that is attached to underside of mixer body. Remove handpiece and extend to fully. A loop now exists in the hose pipe underneath the vanity, where this loop exists attach metal weight, this will ensure that when the handpiece is being replaced into the spout suitable retraction force is applied thus assisting with the feedback process.

For further assistance with your Renaissance product please call the technical support line on 07 3266 5222

*Renaissance*