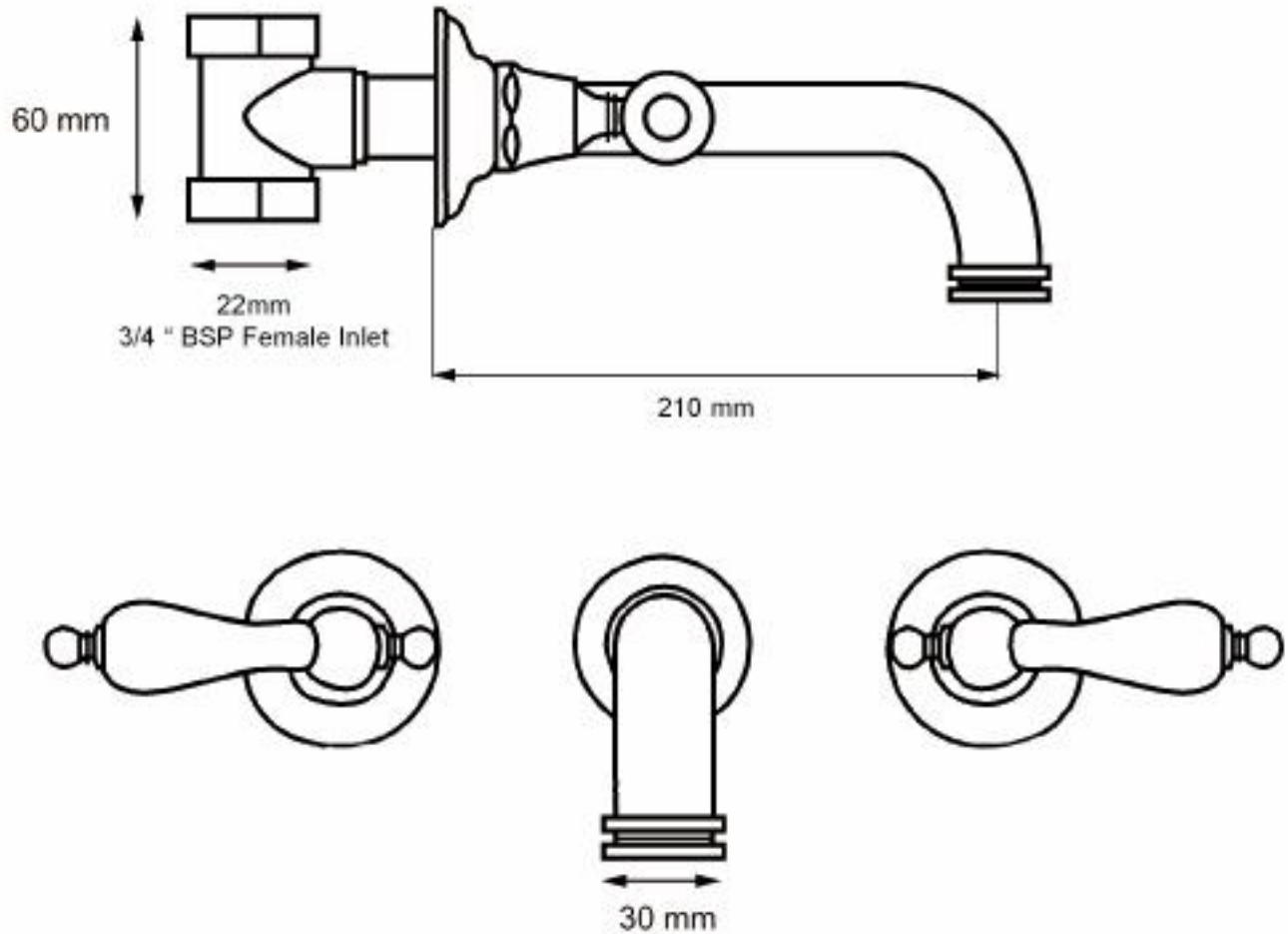


RE 80 CP/GP
Wall Mounted Bath Filler



INSTALLATION INSTRUCTIONS

This product is designed to allow the taps to be situated in any required location and the spout situated wherever the design specifies. Do not rough in a standard breach as these taps are not designed to fit into a breach. A breach is not required and the product will not fit into a breach.

To install, rough in the two cartridges leaving the spline exposed through the wall. Cap off the spline with the plastic cover to protect until you are ready to attach the extension tubes and the tap handles.

It is recommended that a 22 mm male adaptor is fitted to the brass cartridge and this is then connected to the hot or cold water supply. Bring your hot and cold supplies together and weld into a copper T piece. Bring the mixed water supply to an adaptor with a 22 mm female outlet, this outlet is where the spout attaches.

It is strongly recommended that isolation valves are fitted to the hot and cold water supplies to help protect you in the unlikely event of product failure.

For further assistance with your Renaissance product please call the technical support line on (07) 3266 5222.