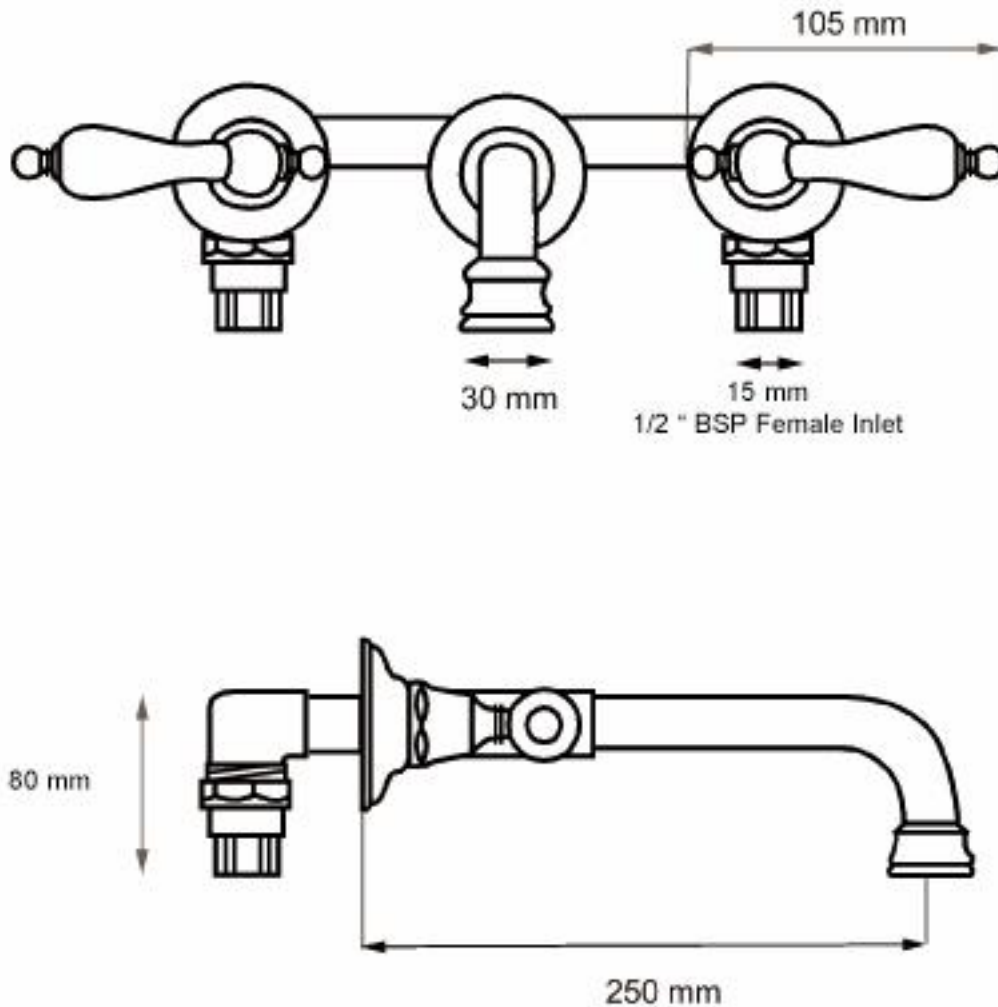


RE 70 CP/GP
Wall Mounted Basin Filler



INSTALLATION INSTRUCTIONS

Rough in the breach system provided and attach to the hot and cold water supply in accordance with approved standard plumbing practices.

Place extension tubes onto spline and slide flanges over extension tubes, attach tap handles to extension tubes. Screw spout into centre hole making sure it is secure.

It is strongly recommended that isolation valves are fitted to the hot and cold water supplies to help protect you in the unlikely event of product failure.

For further assistance with your Renaissance product please call the technical support line on (07) 3266 5222.