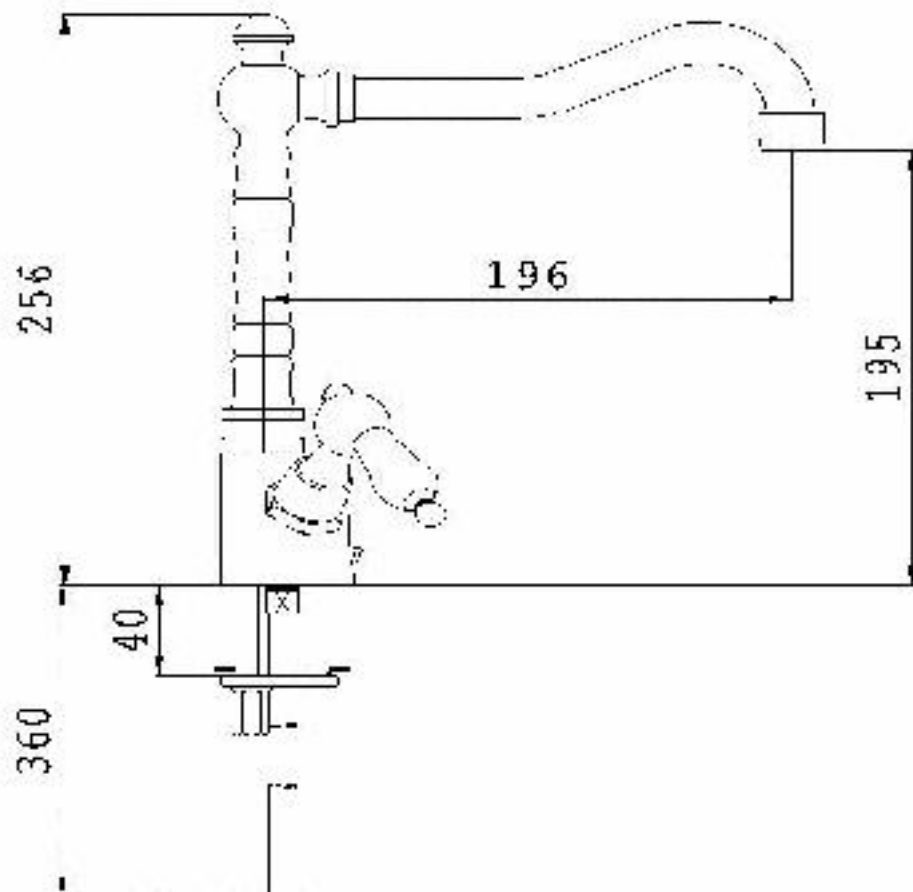


RE 55ES **Monobloc Basin Mixer With English Spout**



Installation Instructions

Before starting the installation process you must first check that your basin has a centre hole of 30mm diameter or greater, this is the width needed to allow the flexible hoses to fit through the vanity.

Insert the threaded brass rod into the base of the mixer tap, place the chrome flange with O ring underneath the tap and position over the hole that exists for your tap fitting. Place the horse shoe washer and retainer over the threaded rod and secure into position underneath the vanity using the brass nut, tighten accordingly.

Insert the spout into the mixer body and tighten chrome nut on the base of the spout.

Pop Up Waste

The waste provided is a 32 mm pop up waste, if your vanity does not accommodate a 32 mm waste disregard this part of your product - your product will still work correctly when installed with another waste. When installing the pop up waste place the rod in the hole at the back of the hub attach this underneath the basin to the small square adaptor, also attach the rod with a nut attached to the square adaptor, the nut is attached to the waste. Once connected the pushing of the rod will pop the plug out of the waste and pulling the rod will secure the plug within the waste.

For further assistance with your Renaissance product please call the technical support line on 07 3266 5222

Renaissance