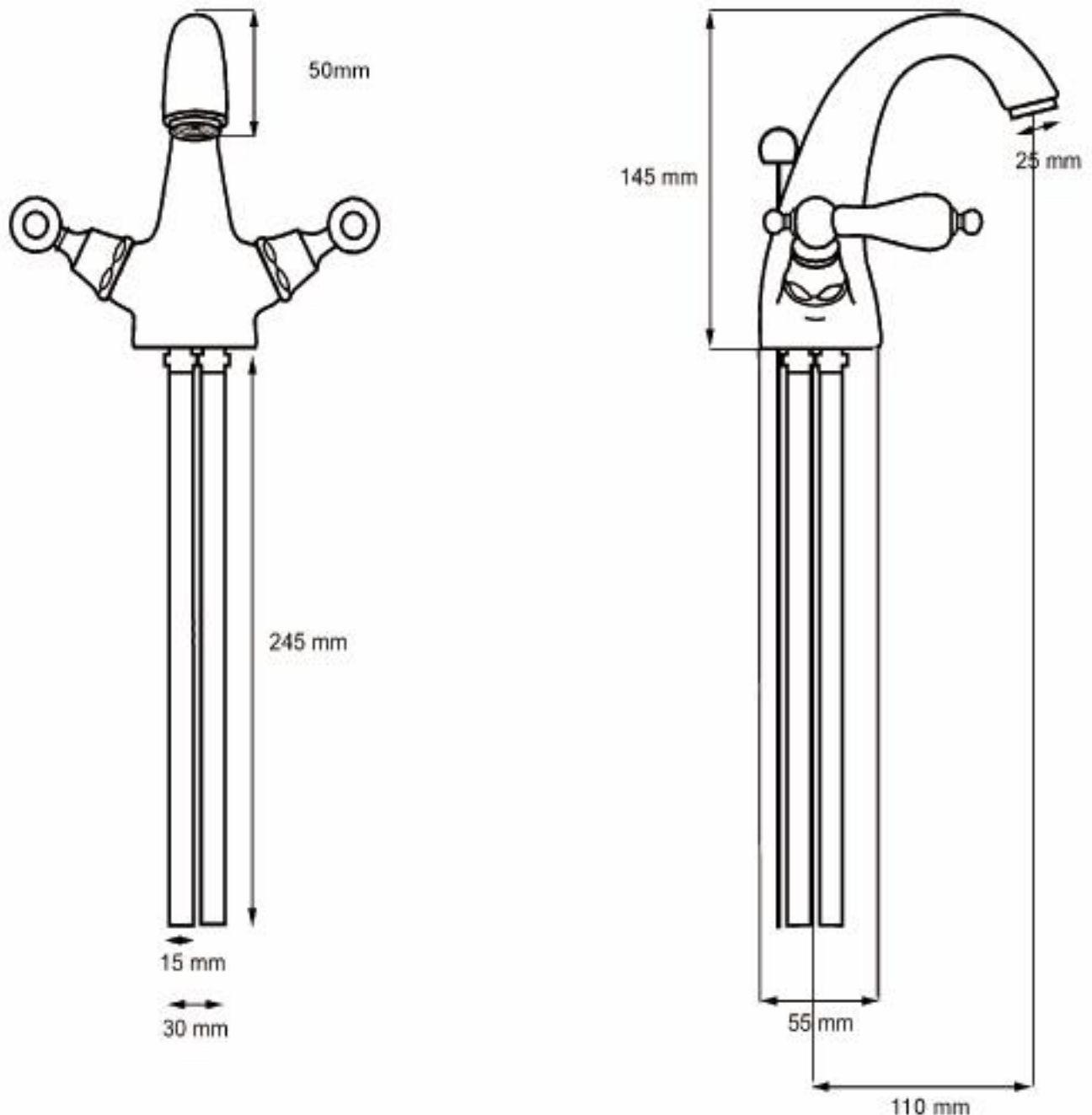


**RE 40CP/GP**  
**Monobloc Basin Mixer.**



**INSTALLATION INSTRUCTIONS**

Firstly ensure that the basin that you intend to attach the Renaissance monobloc basin mixer to has a hole that will allow the two copper tails supplied to fit through.

Place the monobloc mixer on-top of the basin, proceed to screw the brass retaining screw into the underside of the monobloc mixer from the underside of the basin, then fix the horse shoe rubber and the horse shoe brass clip so that the monobloc mixer is secured tightly to the basin. Once the mixer is secure proceed to screw the copper tails into the monobloc mixer. Attach the hot and cold copper tail to the water supply with your preferred method of plumbing. Renaissance recommends welding as a secure method of attaching the copper tails supplied to the hot and cold water supply.

Adjusting the position of the ceramic handles can be done by unscrewing the hexagon handle from the body of the mixer, find the position you would like the handles to take on, then ensuring the spline is lined up with the spline house inside the handle, push the handle back onto the body of the monobloc mixer. Tighten the hexagon screw back up on the handle, so that the handle is tightly fixed to the monobloc body.

For further assistance with your Renaissance product please call the technical support line on (07) 3266 5222.