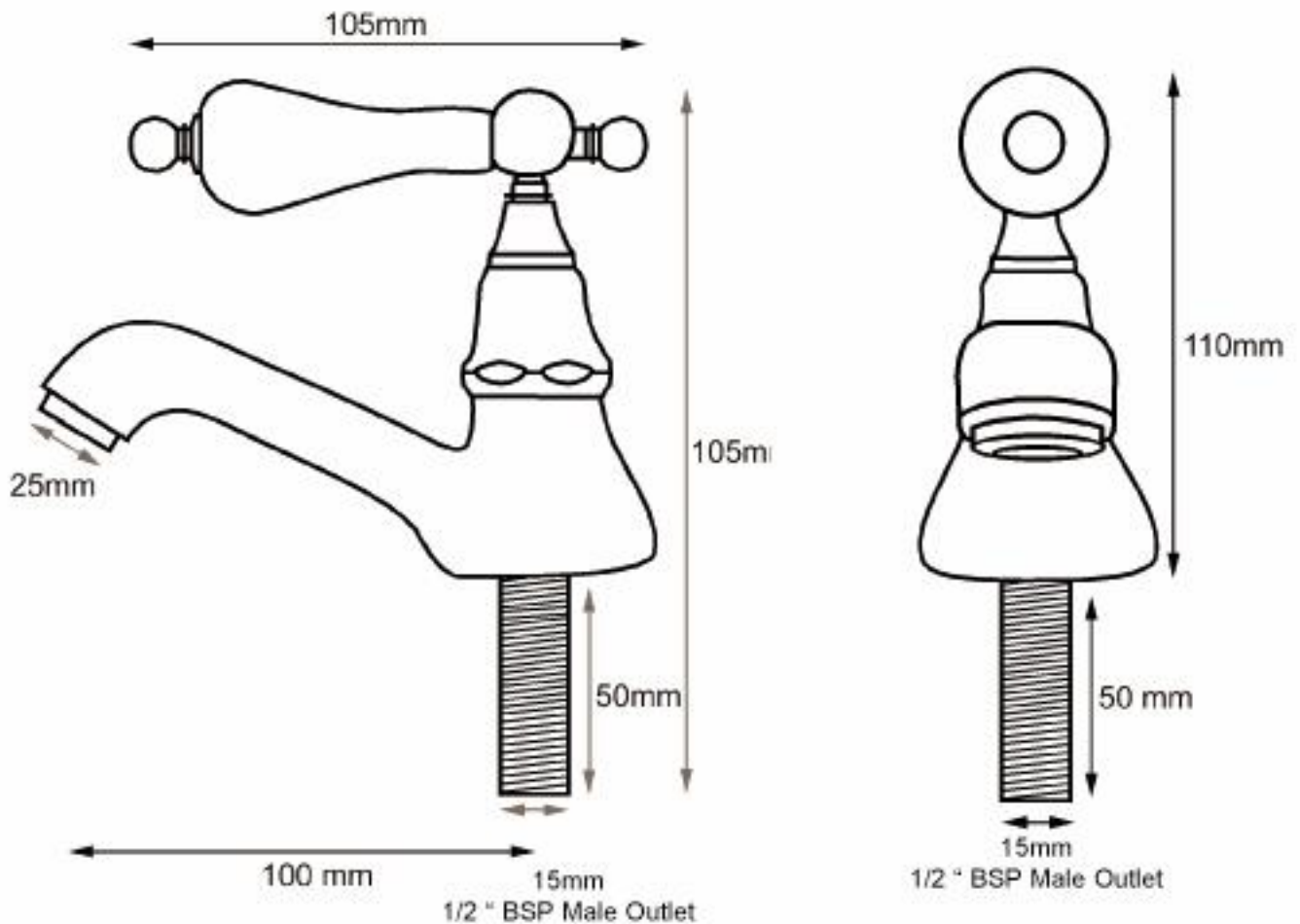


**RE 10 CP/GP
Bath Pillar Tap**



INSTALLATION INSTRUCTIONS

Place your Renaissance pillar tap through the relevant hole within your basin. Attach the washer and nut tightly to the tail that will be located underneath the basin once the fitting has been placed through relevant hole.

Once the tap is tightly secured to the basin connect tap tail to hot or cold water pipe supply with relevant plumbing techniques. Renaissance suggests attaching a nut and olive compression fitting to the tap tail and securely inserting the tubing inside fitting and tightening the nut and olive so that it is secure and water tight.

For further assistance with your Renaissance product please call the technical support line on (07) 3266 5222.