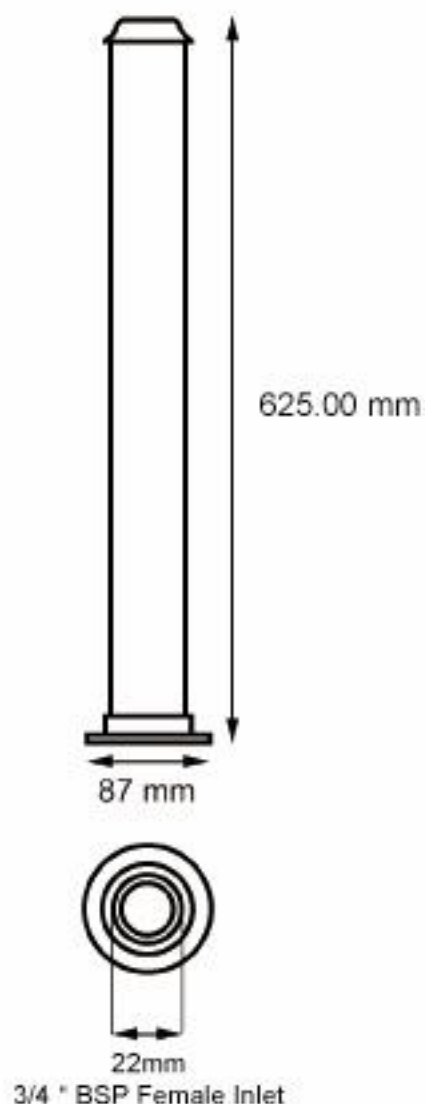


**PIP-CP/GP**  
**Pipe Stands.**



**INSTALLATION INSTRUCTIONS**

It is essential that you are sure of the centres your taps have before installing these pipe stands.

Once you have established the centres required for your taps loosen the grub screw at the top of the stand with the allen key provided, remove the cap and screw it up to the underside of the tail on your tap fitting.

Take the flexible hose connector and attach it to the 15mm male nipple adaptor that has been roughed into the floor to which supplies the hot or cold water supply. Feed the hose through the centre of the tubing, pull it taught and attach the flexible hose to the tail of the tap, ensuring the washer is inserted into the head of the flexible hose connector nut.

Once the hose is connected to both the tap and the 15mm male outlet, insert the cap and hose back inside the pipe stand and tighten into place with the allen key that is provided within the box.

Using the screws provided screw the stands firmly to the floor.

For further assistance with your Renaissance product please call the technical support line on (07) 3267 5222.